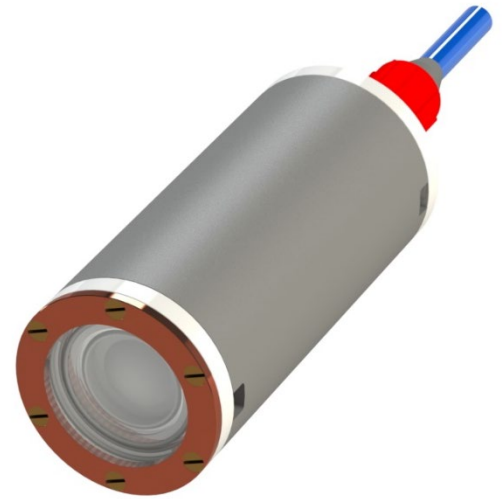


C1 – Machine Vision Camera

Product Description

The MarineSitu C1 machine vision camera has been specifically designed for long-term deployments to support the growing blue economy. Key features are included to ensure survival without corrosion or biofouling while maintaining a simple and elegant design to reduce system cost. The Allied Vision GigE camera line includes options for up to 5 Gigabit bandwidth, 31.4 MegaPixel images, and 464 FPS framerates, allowing you to select the best combination of features to meet your mission objectives. When combined with the MarineSitu Camera Controller, L1 high power LED lights, and Vision image acquisition and data processing software, the system is highly configurable to meet the most demanding applications.



Benefits

- Proven design for long-term deployment survival
- Low-cost and user-friendly for simple system integration
- Modular design for mono or stereo applications
- Camera options for resolution and FPS
- Lens options for FOV selection

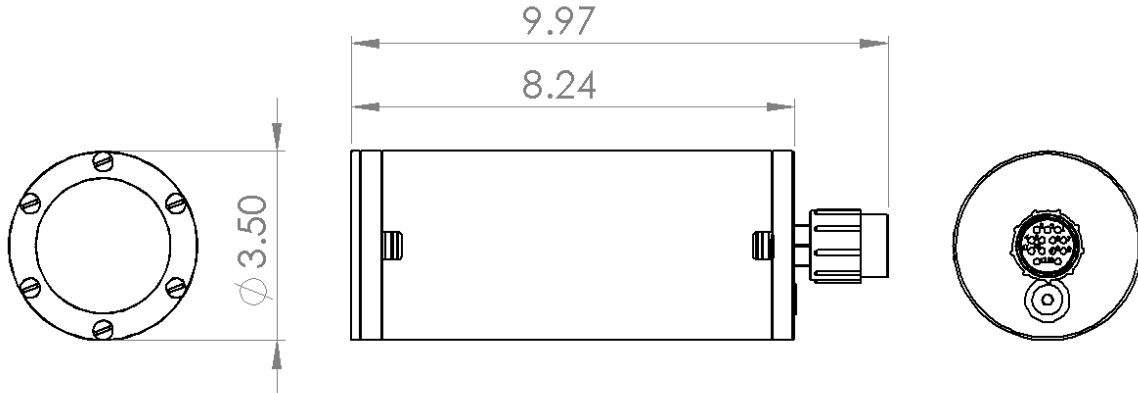
Features

- Allied Vision Technologies GigE machine vision cameras
- Corrosion resistant plastic housing
- Double o-ring seals with monofilament retainer
- Scratch resistant annealed borosilicate glass view port
- Flush view port with antifouling copper retaining ring
- SAE-4 standard vent port
- Power indicator LED on back

Applications

- Long-term deployments
- Marine energy monitoring
- Fish passage monitoring
- Aquaculture
- Underwater vehicles and docking stations
- Research and development

Technical Specifications



Optical	Camera	Allied Vision GigE Series Cameras: Alvium, Manta, or Prosilica
	Image Resolution	5.1 MegaPixel standard, options include up to 31.4 MegaPixel
	Frame Rate	23 FPS standard, options include up to 464 FPS
	Lens	Kowa LM5JCM standard, other options available
	FOV	65.4 x 56.2 degrees
	Focal Range	10 cm to infinity
Electrical	Voltage	10.8 to 26.4 VDC
	Power	3.1 W at 12 VDC
	Comms	GigE Ethernet
	Trigger Lines	I/O for stereovision, light control, and instrument synchronization
	Bandwidth	1 Gigabit standard, options include up to 5 Gigabit
Mechanical	Housing Materials	PVC plastic cylinder, acetal endcaps, borosilicate view port, with copper retaining ring
	Connector	SubConn 13 pin power and Ethernet series standard
	Vent Plug	SAE-4
	Depth Rating	100 m
	Weight in Air	1.635 kg
	Weight in Water	0.310 kg

MarineSitu is here to help with your next mission.

Please contact us for more information about our products and services.